

Custom Soft Jaws.

When you request Custom Soft Jaws, select appropriate Jaw shape from Diagram , then fill in necessary size, information under the column.

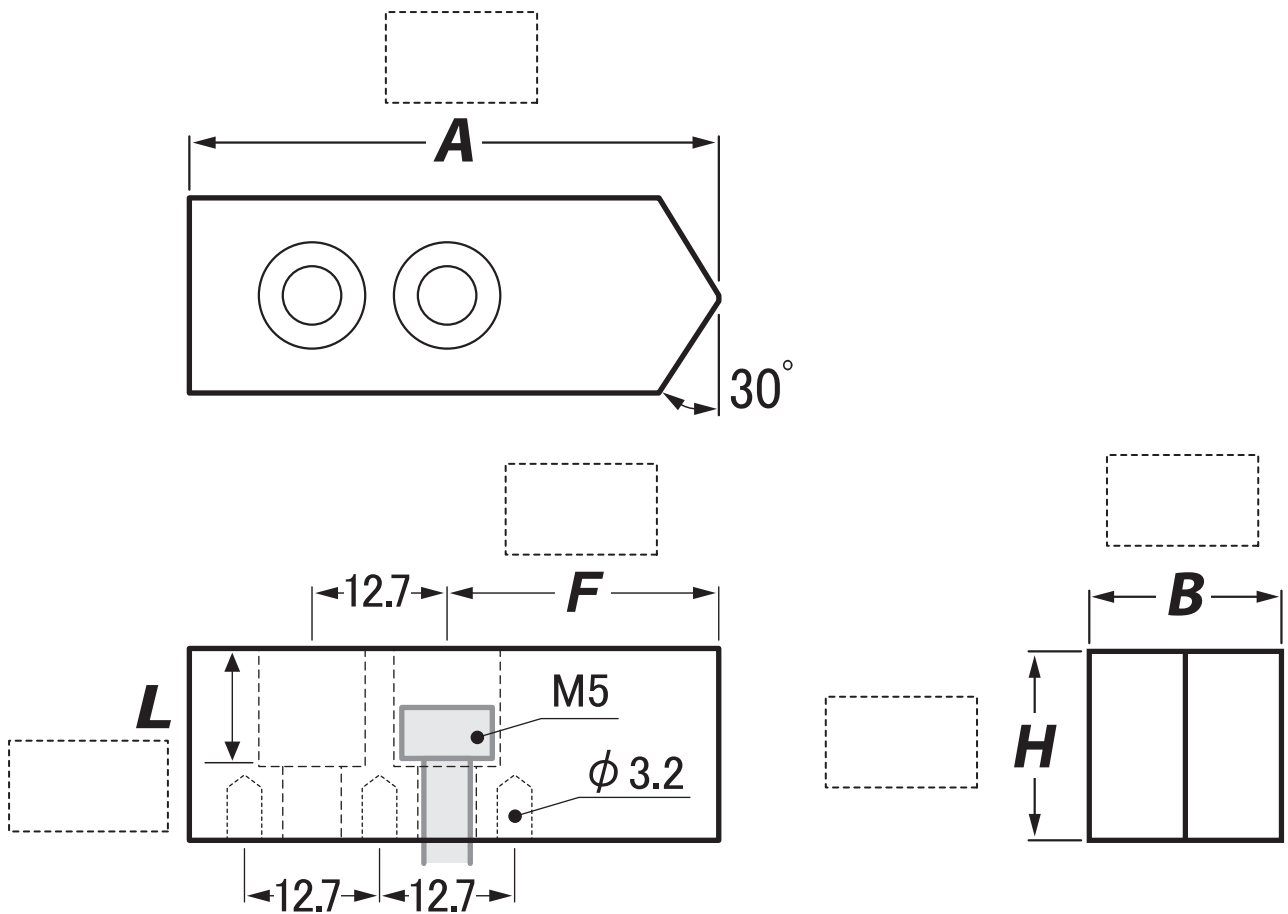
Then, send this back to ARM Sangyo.

Price, Delivery term, Trading condition will be informed after the receipt of this request.

Available Serration pitch : 1.5mm x 60° , 3.0mm x 60° , 1/16" x 90° , 3/32" x 90° , 2.5mm x 60°

FAX : +81-256-46-4780

Diagram 6



Company name		address	
Person in charge		TEL	FAX
Chuck Brand	Lathing Chuck No.	ARM Item No.	Quantity
Kitagawa, Howa, Nikko, Matsumoto, Soul, Victor, Nobel, SMW-Autoblok			Set ($\frac{1\text{set}}{3\text{pcs}}$) Pcs
			Steel / Aluminium